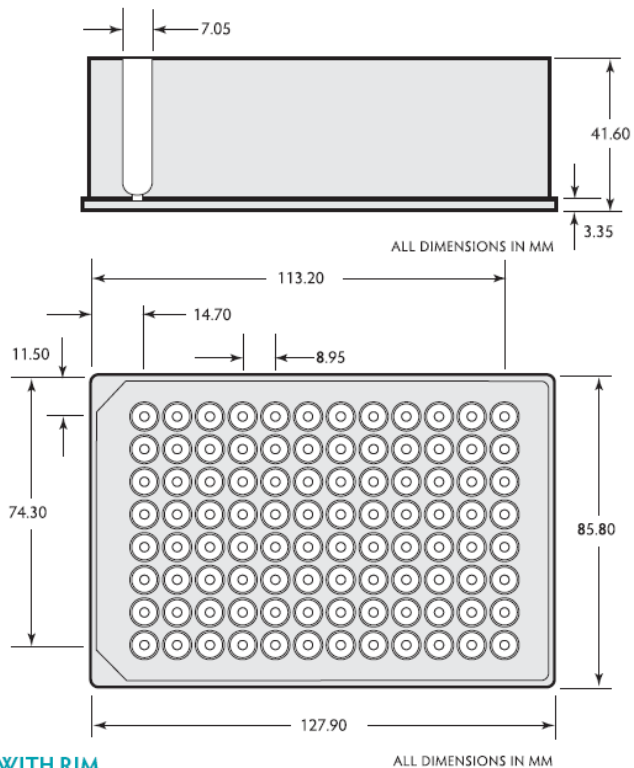


General Arrangement Drawings Deepwell Plates for Chromatography-Certified

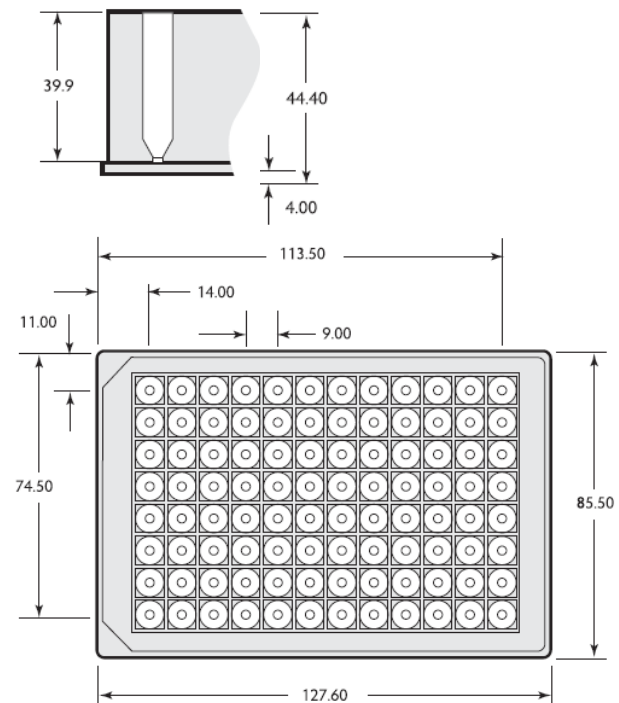
ITEMCODE	Description	A	B	F	G1	H	J	K	L	M	N
		BASE LENGTH	BASE WIDTH	OVERALL HEIGHT	DIA TOP	A - I LOCATION (X)	A - I LOCATION (Y)	WELL TO WELL SPACING	WELL DEPTH	BOTTOM OF WELL DISTANCE	FLANGE SHORT SIDE
LPP.1000RUPP	Round Well	127.90	85.80	41.60	7.05	14.70	11.50	8.95	39.9	3.35	3.35
LPP.2000SVPP	Square Well	127.60	85.50	44.40	8.30	14.00	11.00	9.00	39.90	4.00	4.00

LPP.1000RUPP



WITH RIM

LPP.2000SVPP



Notes.

Drawings are for instrument set-up purposes and are not manufacturing drawings

LEAP PAL Parts is providing information that has been supplied by the original manufacturer and is not responsible for subsequent changes or modifications.

All dimensions mm