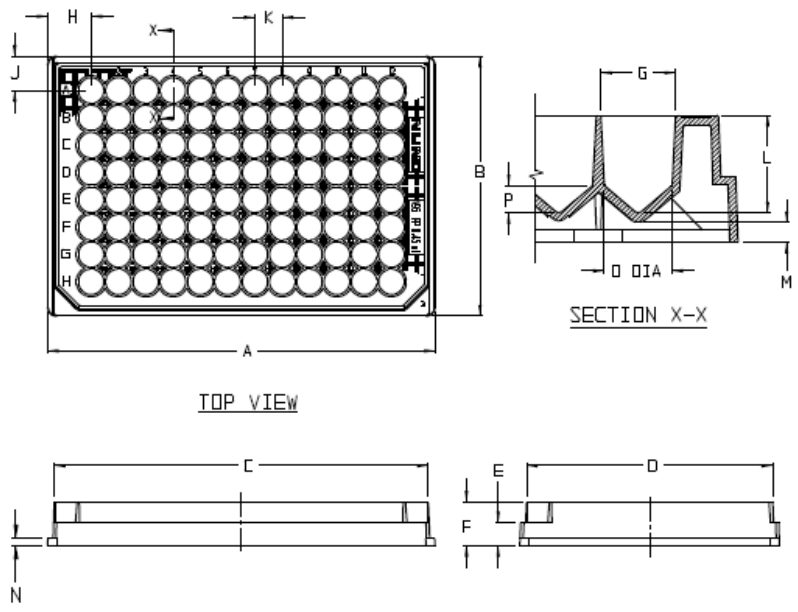


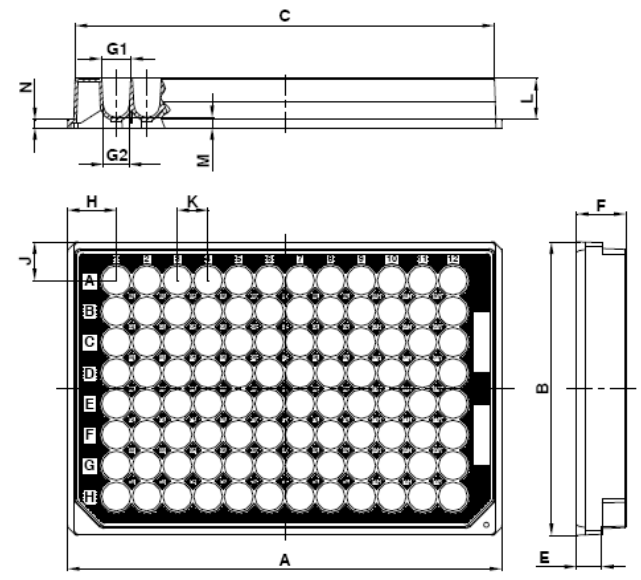
## General Arrangement Drawings Microplates for Chromatography

ItemCode.	Description	A	B	C	D	E	F	G1	G2	H	J	K	L	M	N
LPP.450RVPP	96-Well MicroWell Microplate, round well; V-Shape, 8mm dia	127.8	85.7	123	81.2	7.5	14.4	∅8.5	∅7.6	14.2	11.3	9	11	2.5	2.3
LPP.500RUPP	96-Well MicroWell Microplate, round well; U-shape, 8mm dia.	127.8	85.7	123	80.9	7.5	14.5	∅8.5	∅7.7	14.3	11.3	9	11.2	3.1	2.5

### LPP.450RVPP



### LPP.500RUPP



Notes.

Drawings are for instrument set-up purposes and are not manufacturing drawings

LEAP PAL Parts is providing information that has been supplied by the original manufacturer and is not responsible for subsequent changes or modifications.